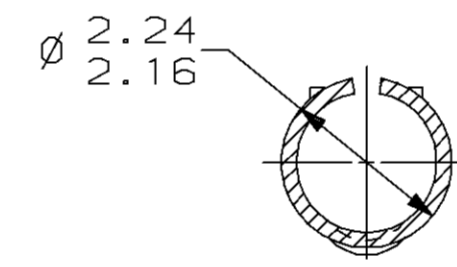
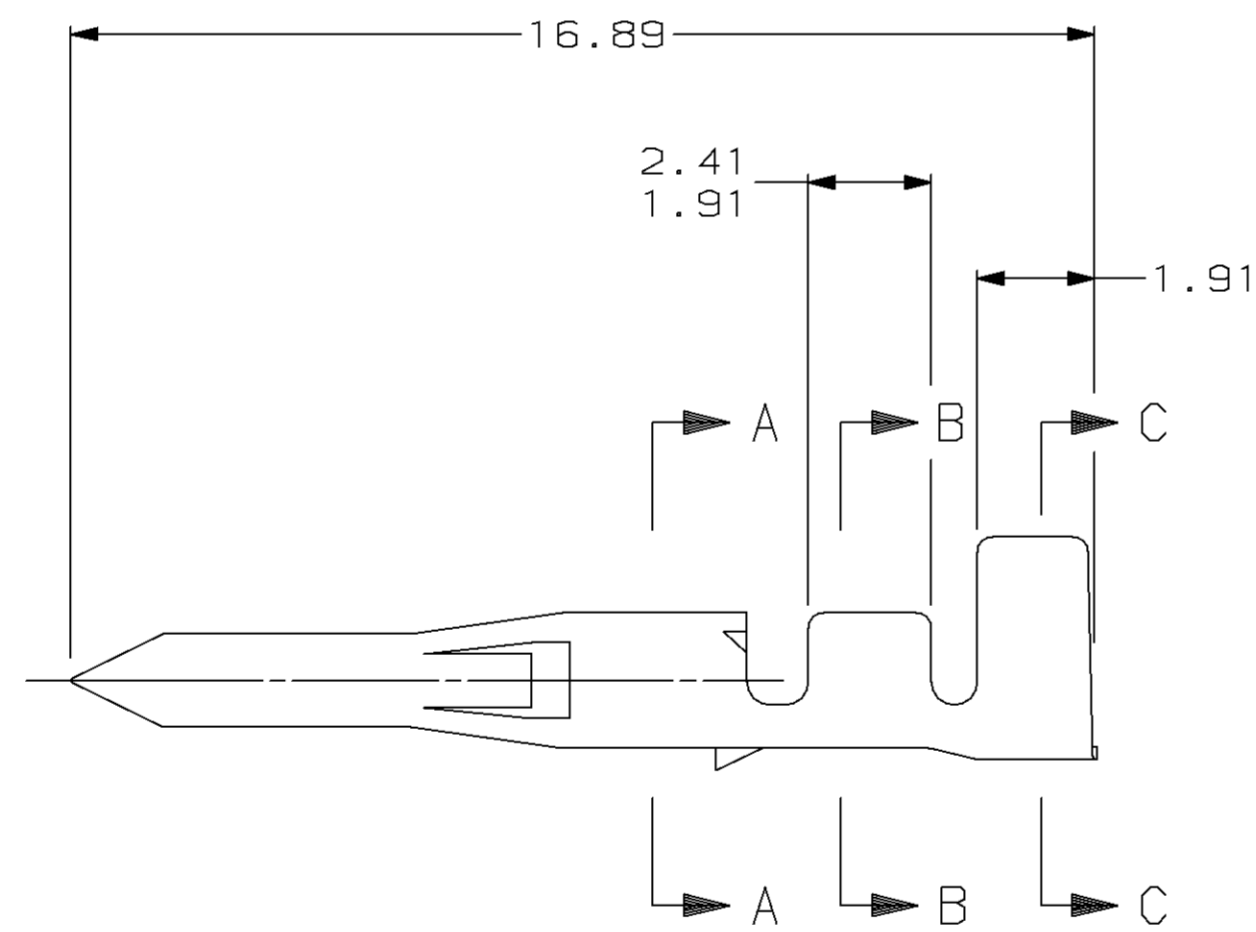
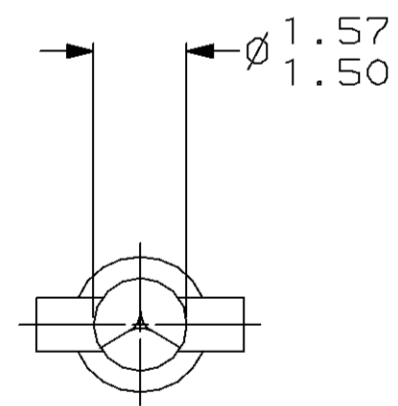
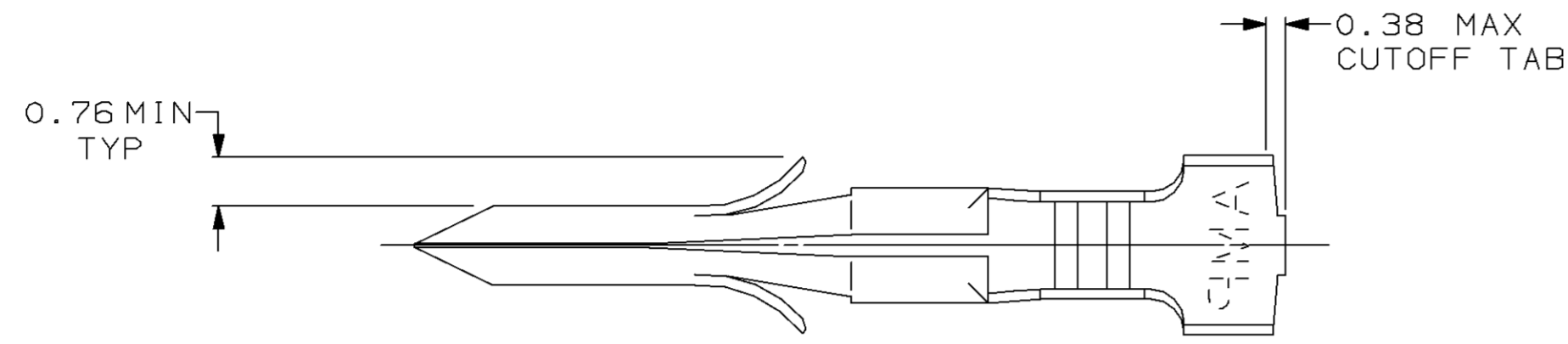
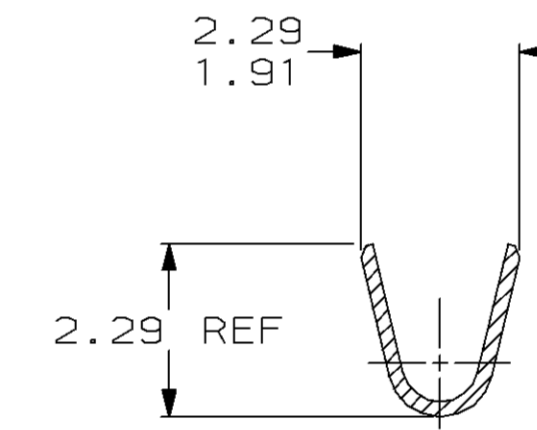


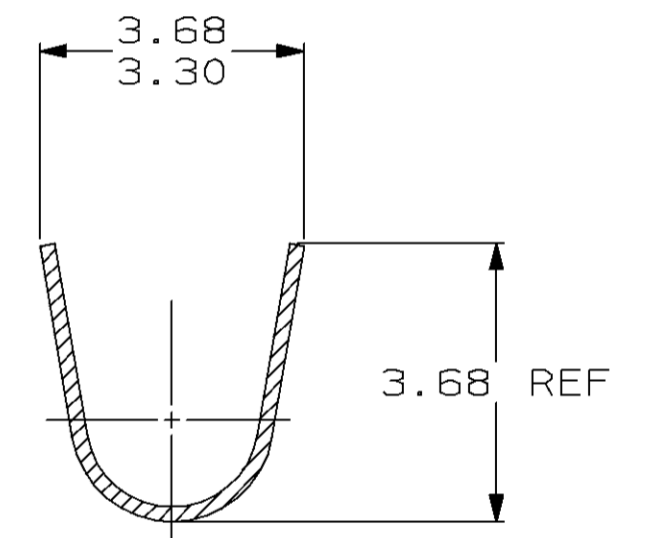
REVISIONS								
LOC	Q1ST	P	F	ZONE	LTR	DESCRIPTION	DATE	APPD
CM	53					0 RELEASED PER PR CM 93-69	7-14-93	LS RS



SECTION A-A
SCALE 10:1



SECTION B-B
SCALE 10:1



SECTION C-C
SCALE 10:1

MM	IN	MM	IN	MM	IN
1.50	.059	2.41	.095		
1.27	.050	2.29	.090		
0.76	.030	2.24	.088	16.89	.665
0.38	.015	2.16	.085	3.68	.145
0.20	.008	1.91	.075	3.30	.130
0.13	.005	1.57	.062	2.79	.110
MM	IN	MM	IN	MM	IN

CONVERSION TABLE

METRIC

PRE-TIN	0.20 BRASS	1.27 - 2.79	0.2 - 0.9 mm ² (24-18 AWG)	794017-1
FINISH	MATERIAL	INSULATION DIAMETER	WIRE RANGE	PART NO
DO NOT SCALE PRINT. UNLESS SPECIFIED DIMENSIONS IN mm TOLERANCES ON: 2 PLC DEC ± 0.13 3 PLC DEC ± - ANGLES ± -	DR 7-14-93 L. SMITH	AMP Incorporated Harrisburg, PA 17105-3608 NAME .062 PIN, LOOSE PIECE, COMMERCIAL PIN AND SOCKET		
SEE TABLE	CHK 7-14-93 R. SWING			
SEE TABLE	APPD 7-15-93 C. CASH			
FINISH	APPD 7-15-93 C. CASH	PRODUCT SPEC	SIZE	CAGE CODE
SEE TABLE	APPLICATION SPEC	-	Ø 00779	DRAWING NO
WEIGHT	-	-	SCALE 8:1	794017
				SHEET 1 OF 1

CUSTOMER DRAWING